

NRG SAV'R

Double Hung Replacement Window System



SEMCO[®]
WINDOWS  DOORS

www.semcowindows.com

SMART  SOLID  STUNNING

IMPROVE YOUR HOME'S LOOKS AND REDUCE YOUR ENERGY COSTS WITH OUR EASY-TO-INSTALL REPLACEMENT WINDOW SYSTEM!

It's easy...to replace your old, energy-wasting double hung window with an energy-efficient double hung tilt from Semco.

You will find that a minimum investment of your own labor, using a few simple tools, will not only reduce your heating and cooling bills, but improve the looks and value of your home.

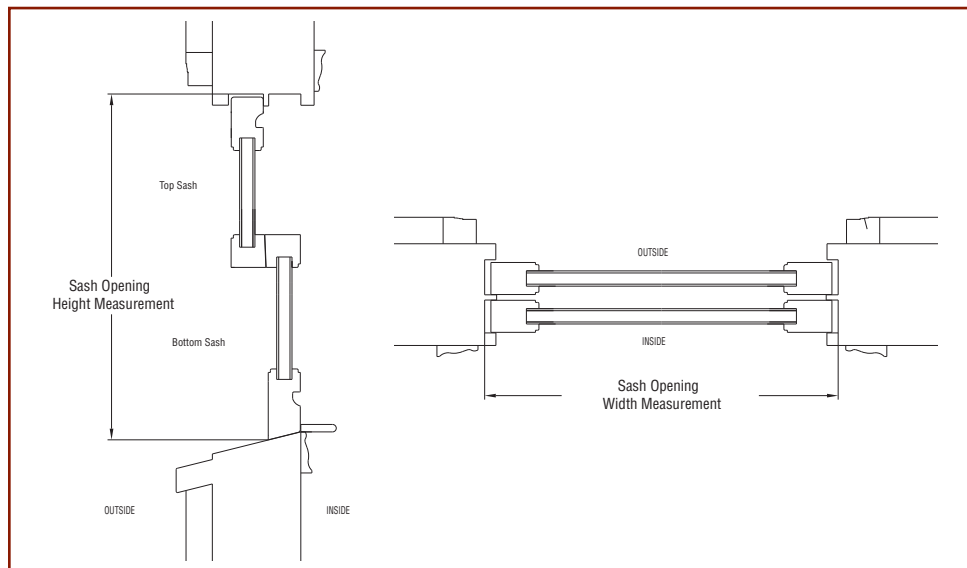
All work is done safely from the inside, which means no dangerous ladders or exposure to harsh weather. You will be surprised how quickly and easily you can replace just one, or all of the windows in your home.

How to Measure ...

Accurate measurement is critical to ensure the best possible fit of your replacement sash. Jot down your measurements for the width and height as you take them.

Measure the width of the window from left to right from the inside of the wood frame. Take one measurement 4" below the top of the window, one at the center of the window, and the third measurement 4" above the sill. All width measurements should be the same.

Measure the height of the window inside the wood frame by running a tape from the area where the top of the sash meets the top of the frame (when fully closed), down to the point on the outside of the bottom sash where it meets the sill (when the window is fully closed).*



***NOTE**

You will have to raise the bottom sash slightly to accomplish this measurement.

Each replacement kit comes complete with the items shown above.

- (1) Dual-sealed insulating glass top sash
- (1) Dual-sealed insulating glass bottom sash
- (2) Vinyl compression jamb liners with sturdy sash balances
- (1) Vinyl parting stop with vinyl weather stripping
- (2) Vinyl sash stops
- ♥ Assorted fastening clips and nails

Here's all you need for easy installation ...



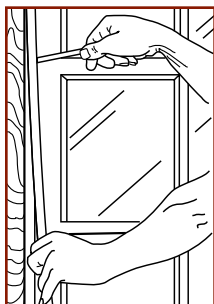
Follow these simple steps ... to remove your old windows and install your new Semco double hung tilt windows.

STEP 1

Carefully remove inside stops from your existing windows.

NOTE

These will be needed for future use.



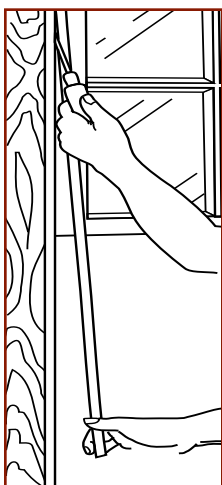
STEP 2

Remove your old bottom sash. Remove ropes and pulleys on old balance systems.



STEP 3

Using a standard screw driver, gently pry off the side and top parting stops.



STEP 4

Remove the old top sash.

NOTE

If the old top sash is nailed in, remove nails with hammer.



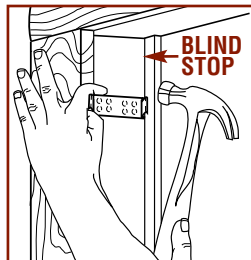
STEP 5

Your window opening should now be clear. Fasten holding clips to the side jambs. Place one clip 6" from the top of each side jamb, and one clip 6" from the bottom of the jamb. Push one end of the clip flush against the blind stop and nail with two nails.

NOTE

Do not nail tightly, leave approximately 1/32" of play.

Divide and install all clips contained in the kit equally between the two side jambs. Space all clips evenly.

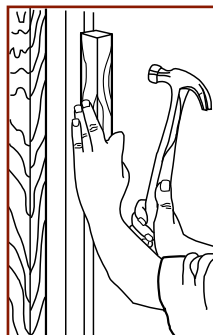


STEP 6

Install the vinyl jamb liners by placing the bottom bevel end of the liner on the sill, and tilting it toward the jamb. Push on the vinyl so it hooks over all the clips. If the clips do not catch, use a small block of wood and a hammer to secure.

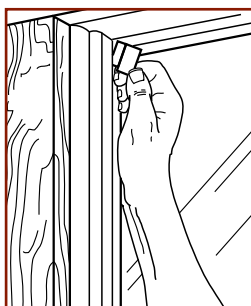
NOTE

Do not hit the vinyl directly with the hammer.



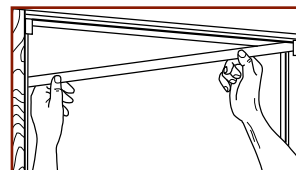
STEP 7

Snap in the vinyl sash stops at each upper corner of the jamb liners.



STEP 8

Install the vinyl weather strip head parting stop by inserting one end of the stop into the head parting groove, making certain that the leaf weather strip faces toward the outside of the window. Drive the stop into the groove with a block of wood and a hammer.

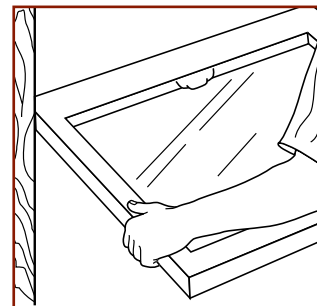


STEP 9

You are now ready to install the top sash. Hold the sash horizontally with the painted or clad side up, and the silver metal pins away from you. Place the pin into the left outside track of the jamb liner – above the silver locking terminal which is attached to a cord. Raise the other corner of the top sash, and place the pin into the outside track above the right terminal. Seat both the left and right pins down into the terminals by gently pushing the sash down at the point.

NOTE

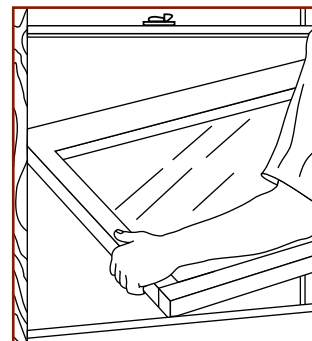
The sash must be horizontal in order to securely seat the pins.



After seating, tilt the sash to a full vertical position and push the sash over the tracks into the sliding position.

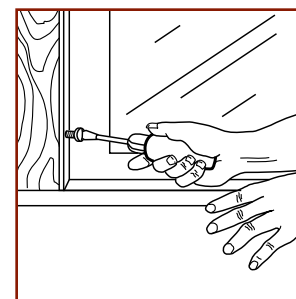
STEP 10

To install the bottom sash, simply repeat the procedure described in Step 9 – using the inside tracks of the jamb liner.



STEP 11

Replace the original inside stops that you removed in Step 1, and your project is complete!



NRG SAV'R SIZES

GLASS SIZE	SASH OPENING
16" x 14"	1' 8" x 2' 10"
16" x 16"	1' 8" x 3' 2"
16" x 20"	1' 8" x 3' 10"
16" x 22"	1' 8" x 4' 2"
16" x 24"	1' 8" x 4' 6"
16" x 26"	1' 8" x 4' 10"
16" x 28"	1' 8" x 5' 2"
<hr/>	
20" x 14"	2' 0" x 2' 10"
20" x 16"	2' 0" x 3' 2"
20" x 20"	2' 0" x 3' 10"
20" x 22"	2' 0" x 4' 2"
20" x 24"	2' 0" x 4' 6"
20" x 26"	2' 0" x 4' 10"
20" x 28"	2' 0" x 5' 2"
20" x 30"	2' 0" x 5' 6"
20" x 32"	2' 0" x 5' 10"
20" x 34"	2' 0" x 6' 2"
20" x 36"	2' 0" x 6' 6"
20" x 24"/36"	2' 0" x 5' 6"
<hr/>	
24" x 14"	2' 4" x 2' 10"
24" x 16"	2' 4" x 3' 2"
24" x 20"	2' 4" x 3' 10"
24" x 22"	2' 4" x 4' 2"

GLASS SIZE	SASH OPENING
24" x 24"	2' 4" x 4' 6"
24" x 26"	2' 4" x 4' 10"
24" x 28"	2' 4" x 5' 2"
24" x 30"	2' 4" x 5' 6"
24" x 32"	2' 4" x 5' 10"
24" x 34"	2' 4" x 6' 2"
24" x 36"	2' 4" x 6' 6"
24" x 24"/36"	2' 4" x 5' 6"
<hr/>	
28" x 14"	2' 8" x 2' 10"
28" x 16"	2' 8" x 3' 2"
28" x 20"	2' 8" x 3' 10"
28" x 22"	2' 8" x 4' 2"
28" x 24"	2' 8" x 4' 6"
28" x 26"	2' 8" x 4' 10"
28" x 28"	2' 8" x 5' 2"
28" x 30"	2' 8" x 5' 6"
28" x 32"	2' 8" x 5' 10"
28" x 34"	2' 8" x 6' 2"
28" x 36"	2' 8" x 6' 6"
28" x 24"/36"	2' 8" x 5' 6"
<hr/>	
32" x 14"	3' 0" x 2' 10"
32" x 16"	3' 0" x 3' 2"
32" x 20"	3' 0" x 3' 10"

GLASS SIZE	SASH OPENING
32" x 22"	3' 0" x 4' 2"
32" x 24"	3' 0" x 4' 6"
32" x 26"	3' 0" x 4' 10"
32" x 28"	3' 0" x 5' 2"
32" x 30"	3' 0" x 5' 6"
32" x 32"	3' 0" x 5' 10"
32" x 34"	3' 0" x 6' 2"
32" x 36"	3' 0" x 6' 6"
32" x 24"/36"	3' 0" x 5' 6"
<hr/>	
36" x 14"	3' 4" x 2' 10"
36" x 16"	3' 4" x 3' 2"
36" x 20"	3' 4" x 3' 10"
36" x 22"	3' 4" x 4' 2"
36" x 24"	3' 4" x 4' 6"
36" x 26"	3' 4" x 4' 10"
36" x 28"	3' 4" x 5' 2"
<hr/>	
40" x 14"	3' 8" x 2' 10"
40" x 16"	3' 8" x 3' 2"
40" x 20"	3' 8" x 3' 10"
40" x 22"	3' 8" x 4' 2"
40" x 24"	3' 8" x 4' 6"
40" x 26"	3' 8" x 4' 10"
40" x 28"	3' 8" x 5' 2"

SEMCO[®] WINDOWS DOORS

www.semcowindows.com
 Semling-Menke Company, Inc.
 P.O. Box 378 · Merrill, Wisconsin 54452
 715.536.9411 · 800.333.2206



Your Local Semco Dealer: