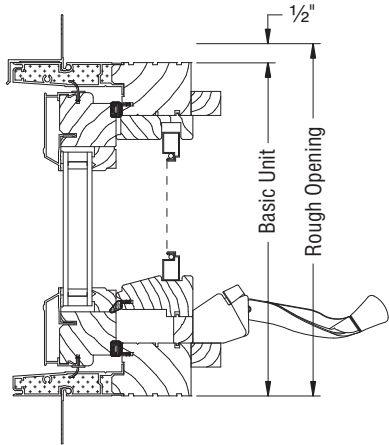
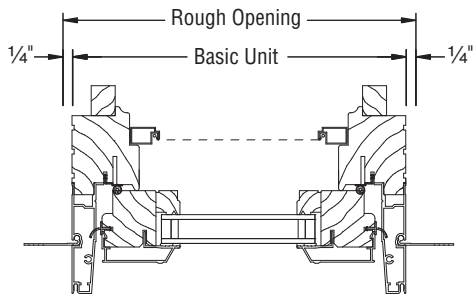


CASEMENT - CLAD

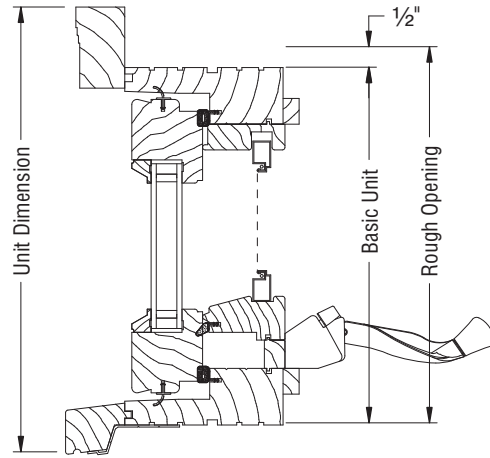


HEAD/SILL SECTION

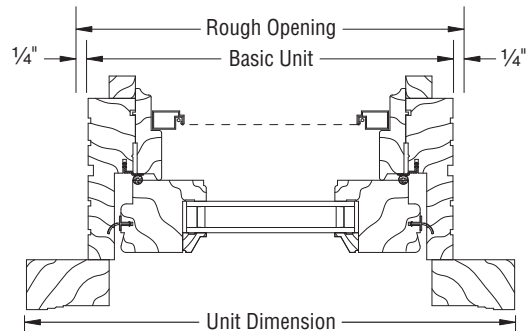


JAMB SECTION

CASEMENT - PRIMED

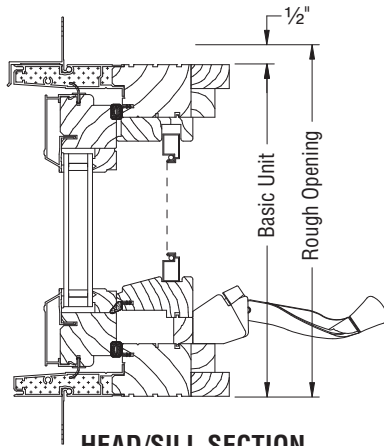


HEAD/SILL SECTION

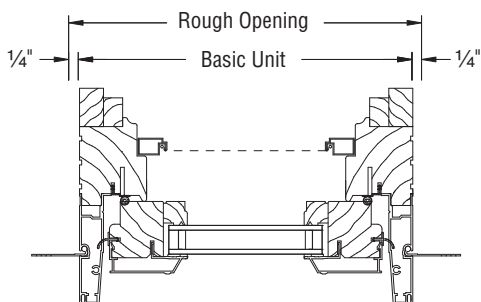


JAMB SECTION

CASEMENT - CLAD STEP JAMB

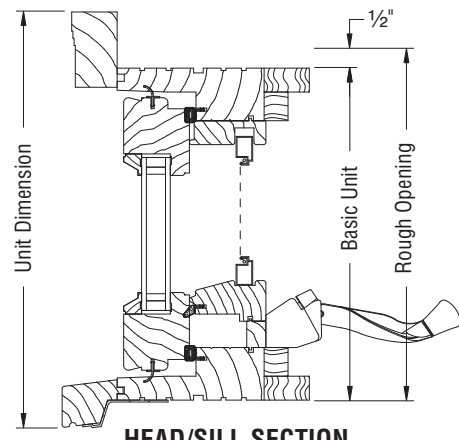


HEAD/SILL SECTION

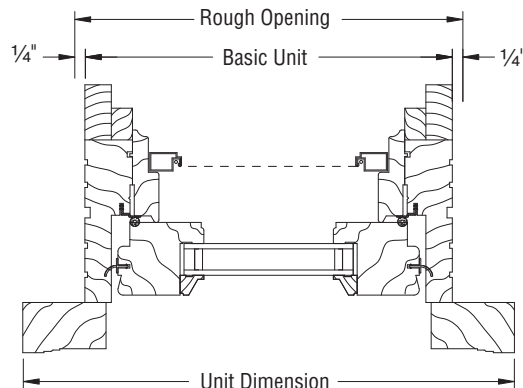


JAMB SECTION

CASEMENT - PRIMED STEP JAMB



HEAD/SILL SECTION



JAMB SECTION