

GLIDER OPENING SPECIFICATIONS

UNIT CODE	CLEAR OPENING			DAYLIGHT SQ. FT.	VENT. SQ. FT.
	SQ. FT.	WIDTH	HEIGHT		
3024	1.5	11-3/8"	19-1/8"	2.4	1.5
3030	2.0	11-3/8"	25-1/8"	3.2	2.0
3624	1.9	14-3/8"	19-1/8"	3.0	1.9
3630	2.5	14-3/8"	25-1/8"	4.4	2.5
3636	3.1	14-3/8"	31-1/8"	5.3	3.1
3642	3.7	14-3/8"	37-1/8"	6.4	3.7
3648	4.3	14-3/8"	43-1/8"	7.6	4.3
3660	5.5	14-3/8"	55-1/8"	9.8	5.5
4824	2.7	20-3/8"	19-1/8"	4.4	2.7
4830	3.6	20-3/8"	25-1/8"	6.3	3.6
4836	4.4	20-3/8"	31-1/8"	7.6	4.4
4842	5.3	20-3/8"	37-1/8"	9.3	5.3
u 4848	6.1	20-3/8"	43-1/8"	10.9	6.1
u 4860	7.8	20-3/8"	55-1/8"	14.2	7.8
u 6036	5.7	26-3/8"	31-1/8"	10.0	5.7
u 6042	6.8	26-3/8"	37-1/8"	12.1	6.8
u 6048	7.9	26-3/8"	43-1/8"	14.2	7.9
u 6060	10.1	26-3/8"	55-1/8"	18.5	10.1
u 7236	7.0	32-3/8"	31-1/8"	12.3	7.0
u 7242	8.3	32-3/8"	37-1/8"	15.0	8.3
u 7248	9.7	32-3/8"	43-1/8"	17.6	9.7
u 7260	12.4	32-3/8"	55-1/8"	22.8	12.4
u 9648	6.6	22-1/16"	43-1/8"	23.9	13.2
u 9660	8.4	22-1/16"	55-1/8"	31.0	16.9

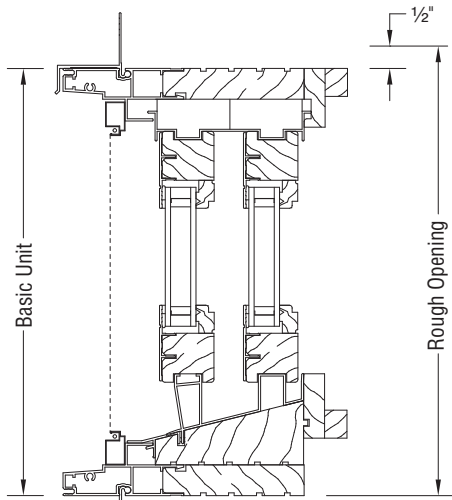
EGRESS

u Indicates egress.

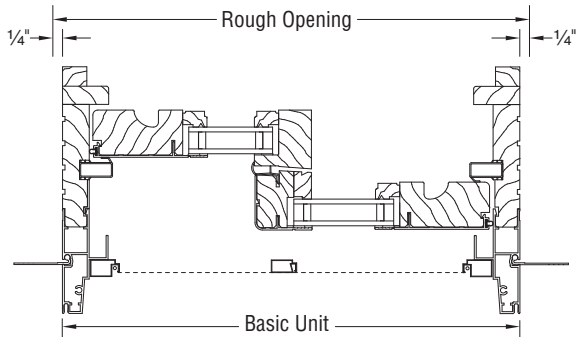
A GENERAL NOTE ON EGRESS:

Egress requirements can vary from locale to locale. It is always best to check with your local building department to determine their exact egress requirements.

GLIDER - CLAD

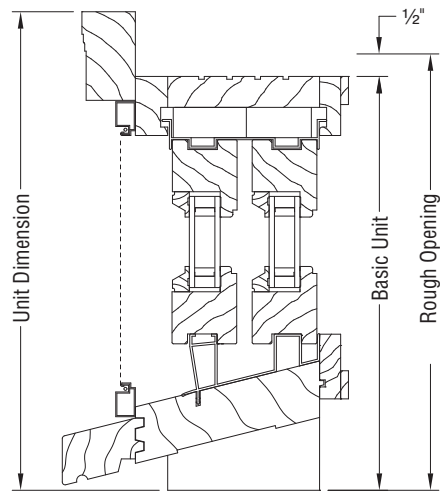


HEAD/SILL SECTION

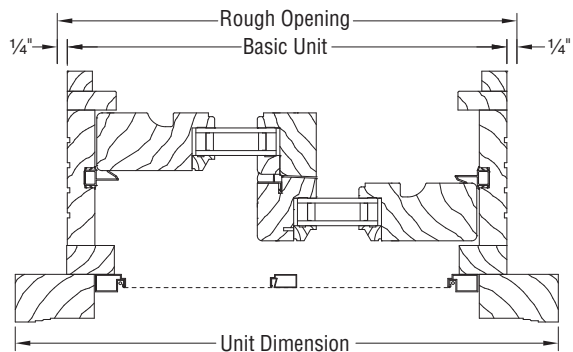


JAMB SECTION

GLIDER - PRIMED



HEAD/SILL SECTION



JAMB SECTION